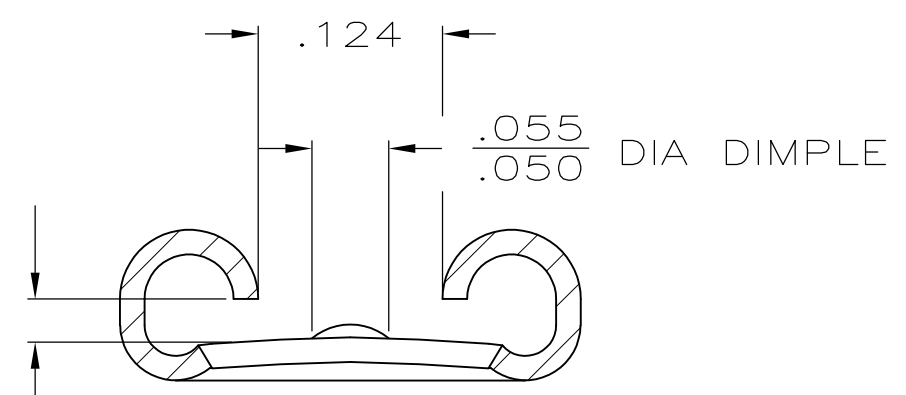
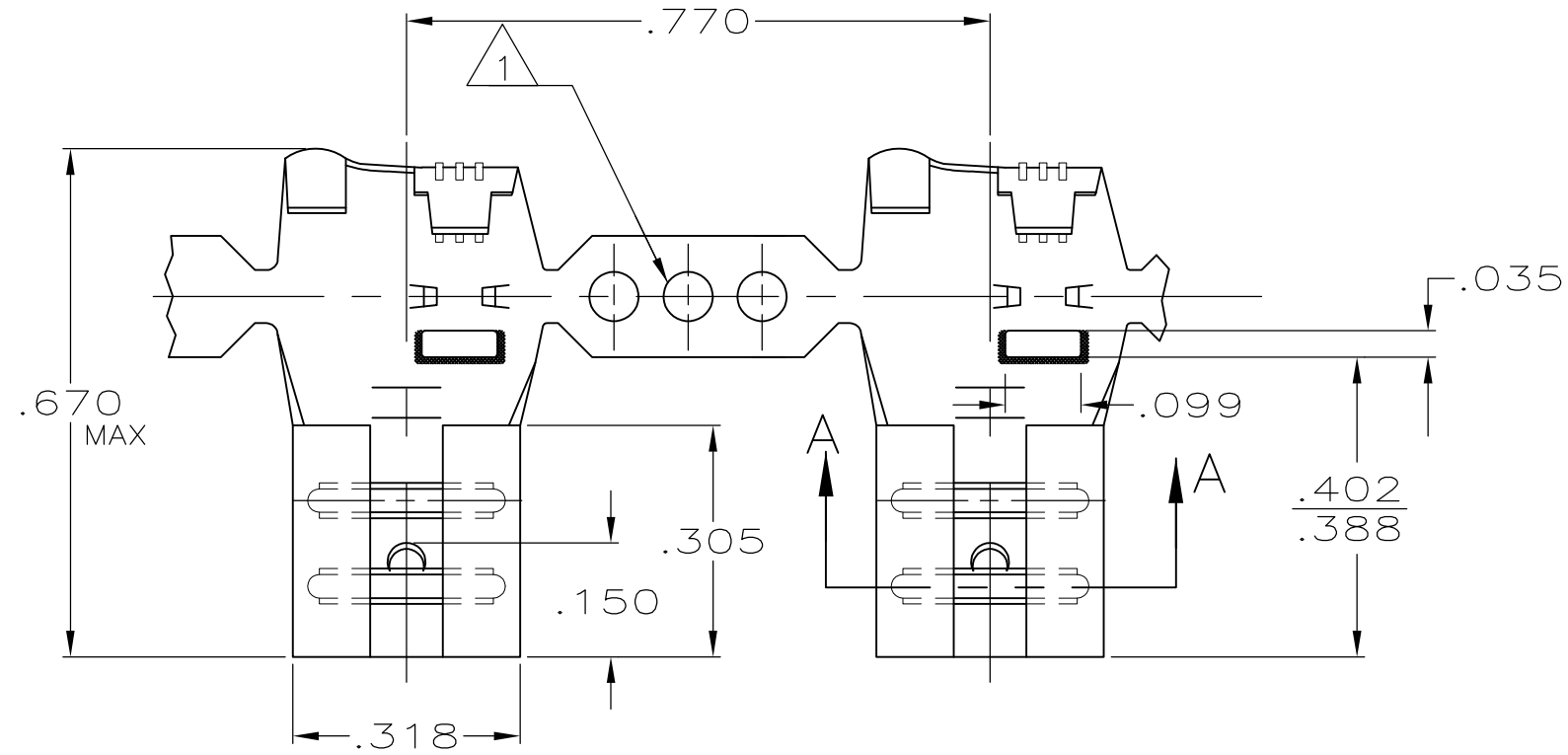


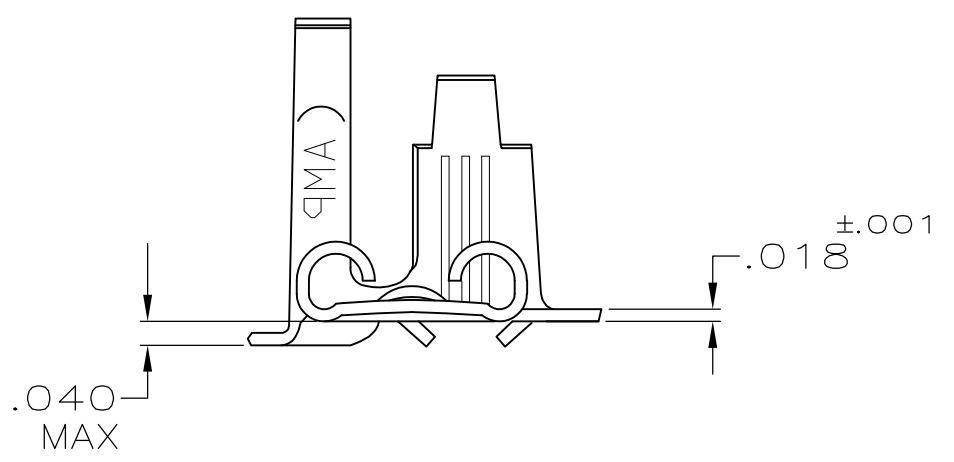
THIS DRAWING IS UNPUBLISHED. RELEASED FOR PUBLICATION
 © COPYRIGHT - By - ALL RIGHTS RESERVED.

LOC	DIST	REVISIONS					
AF	50	P	LTR	DESCRIPTION	DATE	DWN	APVD
			V	REVISED PER ECR-12-013445	18OCT12	KH	PD

△ 1 SINGLE OR DOUBLE PILOT HOLE OPTIONAL



SECTION A-A
SCALE 8:1



.110-.210	18-12	.032	41801
INSULATION RANGE	WIRE SIZE	MATING TAB THK ±.001	PART NO.

THIS DRAWING IS A CONTROLLED DOCUMENT.		DWN JR RUTH 7/12/89	STE TE Connectivity	
DIMENSIONS: INCHES		CHK MS FEHER 7/12/89		
TOLERANCES UNLESS OTHERWISE SPECIFIED:		APVD C MEYERS 7/12/89	NAME RECEPTACLE, FASTON, FLAG, .250 SERIES	
0 PLC ± -		PRODUCT SPEC	SIZE A3	
1 PLC ± -		APPLICATION SPEC	CAGE CODE 00779	DRAWING NO C-41801
2 PLC ± -		WEIGHT	RESTRICTED TO	
3 PLC ± .015			SCALE 4:1	
4 PLC ± -			SHEET 1 OF 1	
ANGLES ± -			REV V	
FINISH			CUSTOMER DRAWING	
MATERIAL BRASS				